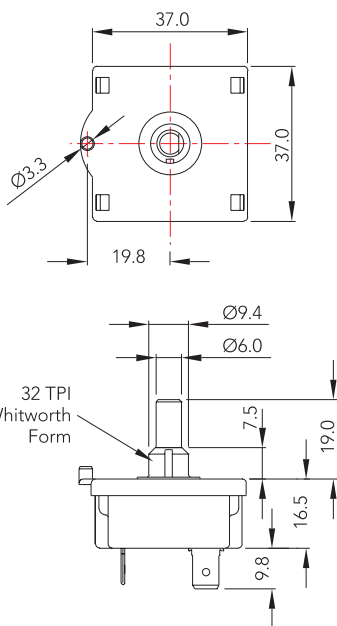


### Dimensions (mm) 产品尺寸



### Electrical Properties 电气性能

Contact Gap	< 3mm
Insulation Spacing	≥ 8mm
Contact Resistance	< 20mΩ initially
Dielectric Strength	Up to 2kV
Insulation Resistance	> 50MΩ (500VDC between the open contacts) initially
Electrical Life	≥ 20,000 cycles at full load
Resistance to Tracking	PTI 250

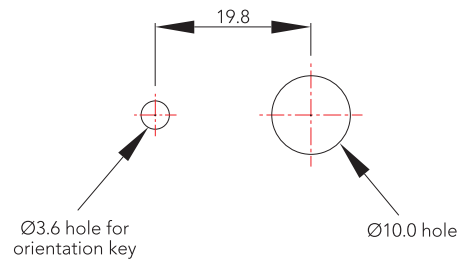
### Mechanical Properties 机械性能

Glow Wire Test	850°C (category D)	
Flammability	UL 94V-0	
Mechanical Life	≥ 100,000 cycles	
Material	Base/Cover/Shaft Terminals Contact	Glass-filled Nylon 6/6 Copper Alloy Silver Alloy

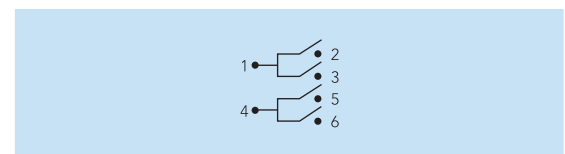
### Ratings & Approvals 额定负载 与安全认证

	16A 125VAC
	RoHS Compliant

### Panel Cutout (mm) 面板尺寸



### Circuits 电路



Various switching positions at different indexing angles are available:

POSITION	INDEXING
2	45° or 90°
3	45°
4	90°
5	45° or 72°
6	60°
8	45°

Other switching options corresponding to your specific needs can be supplied upon request.

其它开关逻辑选择可根据需要而提供